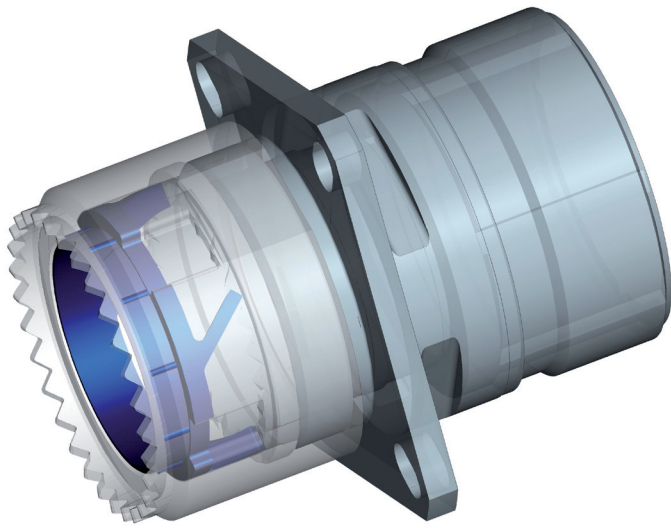


# D38999 rear adaptor for EN2997 backshell



## Description

- Adaptor between 38999 SIII connector and EN2997 backshells : On 38999 connector size N, the adaptor allows EN2997 backshell shell size N+1.
- Secured connection through undismountability once the adaptor is screwed on the connector.
- Sealed connection.

## Applications

Aerospace and military applications.

## Technical features

### Mechanical

- **Adaptor clip ring** : Thermoplastic (ULTEM).
- **Adaptor body** : Thermoplastic PEEK (for other material configurations, please consult us)
- **Plating** : Nickel (for other plating, please consult us).

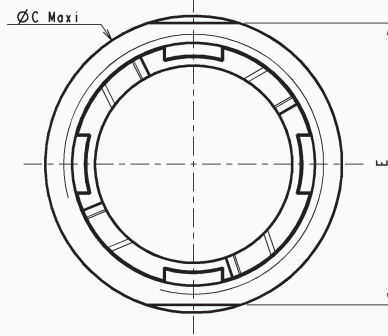
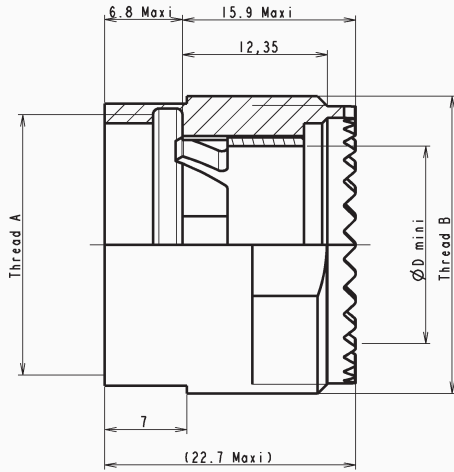
### ABS/SOURIAU Cross Reference

ABS Part Number	SOURIAU Part Number	38999 Shell size	EN2997 Shell size
ABS1603-C01	8D101M09	09	10
ABS1603-C02	8D102M09	11	12
ABS1603-C03	8D103M09	13	14
ABS1603-C04	8D104M09	15	16
ABS1603-C05	8D105M09	17	18
ABS1603-C06	8D106M09	19	20
ABS1603-C07	8D107M09	21	22
ABS1603-C08	8D108M09	23	24
ABS1603-C09	8D109M09	25	26

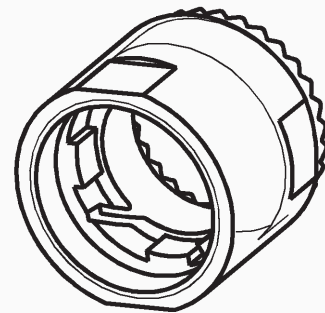
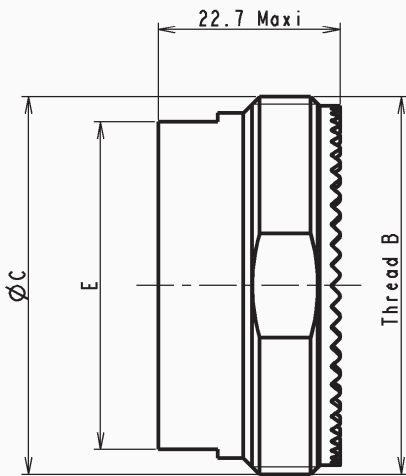
# D38999 rear adaptor for EN2997 backshell



## Dimensions



Shell size 09 to 23



Shell size 25

Part Number	Shell Size	Thread A	Thread B	ØC max	ØD min	E
8D101M09	09	M12 x 1-6H	5/8" USN-24	15.95	7.05	14.5
8D102M09	11	M15 x 1-6H	3/4" USN-20	19.14	10.05	17.5
8D103M09	13	M18 x 1-6H	7/8" USN-20	22.26	13.15	20
8D104M09	15	M22 x 1-6H	1" USN-20	25.43	16.65	24
8D105M09	17	M25 x 1-6H	1" 1/16 USN-18	27.02	19.65	26
8D106M09	19	M28 x 1-6H	1" 3/16 USN-18	30.19	22.65	29
8D107M09	21	M31 x 1-6H	1" 5/16 USN-18	33.37	25.65	32
8D108M09	23	M34 x 1-6H	1" 7/16 USN-18	36.54	28.65	35
8D109M09	25	M37 x 1-6H	1" 3/4 USN-18	44.48	35.35	38.5