

8525 Hermetic Connectors



Description

- Glass sealed hermetic:
 - high hermeticity performance,
 - compact low profile,
- Robust bayonet coupling in accordance with EN3646 standard,
- Signal and power solder cup contacts,
- PCB contact version available,
- Special fuel tank versions:
 - fuel withstanding,
 - solder cup or crimp contacts.



Application

- Civil and military aeronautics,
armoured vehicles:
- Pressure and temperature sensors,
 - Hydraulic devices.

Technical features

Mechanical

- **Shell:** Stainless steel
- **Plating:** Passivated
- **Shock:** NFC 93422 - HE302
- **Contact:** Ferrous alloy
- **Endurance:** 500 mating / unmating operations

Electrical

- **Contact resistance:**

Size	mΩ
20	7
16	3.8
12	2.4

- **Max current rating per contact:**

Size	A
20	5
16	10
12	17

- **Dielectric withstanding:**

Altitude	Service I	Service II
Sea level	1500 Vrms	2300 Vrms
21 000 m	375 Vrms	550 Vrms

- **Shell continuity:**

Hermetic receptacle $\leq 50 \text{ m}\Omega$

Environmental

- **Working temperature:** $-55^{\circ}\text{C} +200^{\circ}\text{C}$
- **Hermeticity:** $10^{-7} \text{ atm.cm}^3/\text{s}$ (helium gaz test)
- **Leakage:** Low pressure immersion: 33mbar Differential pressure of 1 bar air/helium, leakage is $2.8 \text{ mm}^3/\text{H}$.
- **Damp heat:** 56 days
- **Salt spray:** 48 hours

Resistance to fluids:

Fuel: Air 3405

Hydraulic fluid: Oronite M2V

Lubricant: Air 3517

8525 Hermetic Connectors



Ordering information

Basic series	8525	1	H	18 B 32	P	N	H	●
Shell type								
1: solder fixing receptacle								
2: square flange receptacle								
7: jam nut receptacle								
Hermetic								
H: stainless steel								
Contact layout	see table page 3							
Contact type								
P: pin								
Orientation								
N – W – X – y – Z								
Obligatory suffix								
Specification								
None: standard hermetic version								
002: large flange 02 H version								
005: PC tail version								
022: fuel tank version (solder cup)								
053: fuel tank version (crimp contacts)								

8525 Hermetic Connectors



Layouts				
Shell size 08	B3A 3#20	B33 3#20		
10	B6 6#20			
12	B3 3#16	B10 10#20		
14	B4 4#12	B5 5#16	B12 8#20 4#16	B15 14#20 1#16
16	B8 8#16	B21 16#20 5#16	B26 26#20	
18	B8 8#12	B11* 11#16	B32 32#20	
20	B16 16#16	B39 37#20 2#16	B41 41#20	
22	B12* 12#12	B21 21#16	B41 27#20 14#16	B55 55#20
24	B19* 19#20	B31 31#16	B61 61#20	

*: Please, consult us.

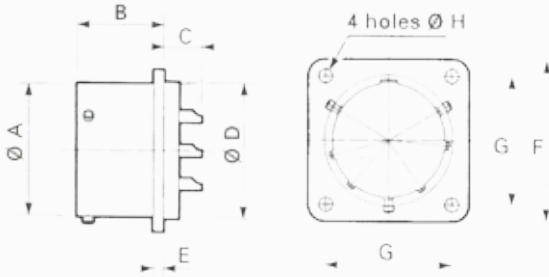
8525 Hermetic Connectors



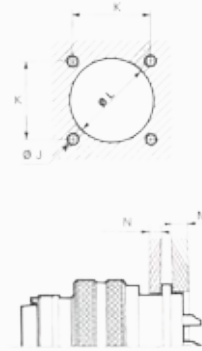
Dimensions

Solder mounting hermetic receptacle (type 02H)

Receptacle



Panel cut out



Shell size	A Max	B Max	C		D Max	E Max	F Max	G ₀ ^{±0.1}	H ₀ ^{±0.1}	J ₀ ^{±0.1}	K ₀ ^{±0.1}	L ₀ ^{±0.1}	M	N Max
			#20	#12 & #16										
08	12.02	12.78	6.50	-	14.27	1.97	21.02	15.09	3.10	3.10	16.10	14.70	3.50	2.30
10	14.99	12.78	6.50	-	17.06	1.97	24.22	18.26	3.10	3.10	18.25	17.50	3.50	2.30
12	19.05	12.78	6.50	7.75	19.83	1.97	26.56	20.62	3.10	3.10	20.60	20.20	3.50	2.30
14	22.23	12.78	6.50	7.75	23.01	1.97	28.96	23.01	3.10	3.10	23.00	23.40	3.50	2.30
16	25.40	12.78	6.50	7.75	26.18	1.97	31.33	24.61	3.10	3.10	24.60	26.60	3.50	2.30
18	28.58	12.78	6.50	7.75	29.36	1.97	33.72	26.97	3.10	3.10	27.00	29.80	3.50	2.30
20	31.75	14.82	6.10	7.30	31.74	2.38	36.90	29.37	3.10	3.10	29.40	32.20	3.50	5.40
22	34.92	14.82	6.10	7.30	34.92	2.38	40.07	31.75	3.10	3.10	31.75	35.30	3.50	5.40
24	38.10	15.62	5.30	6.50	38.09	2.38	43.26	34.92	3.75	3.80	34.90	38.40	3.50	5.40

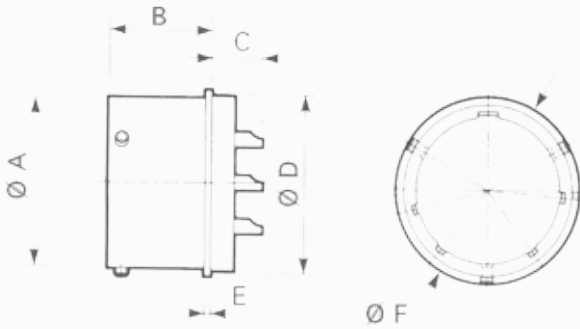
Dimensions in mm.

8525 Hermetic Connectors

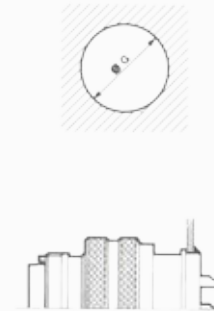


Solder mounting hermetic receptacle (type IH)

Receptacle



Panel cut out



Shell size	A Max	B Max	C		D Max	E Max	F Max	Ø G Max
			#20	#12 & #16				
08	12.02	11.71	7.60	-	14.27	0.90	16.12	14.70
10	14.99	11.71	7.60	-	17.06	0.90	19.30	17.50
12	19.05	11.71	7.60	8.80	19.83	0.90	21.68	20.20
14	22.23	11.71	7.60	8.80	23.01	0.90	24.86	23.40
16	25.40	11.71	7.60	8.80	26.18	0.90	28.03	26.60
18	28.58	11.71	7.60	8.80	29.36	0.90	31.18	29.80
20	31.75	13.34	7.55	8.80	31.74	0.90	33.57	32.10
22	34.92	13.34	7.55	8.80	34.92	0.90	36.77	35.30
24	38.10	14.14	6.75	8.00	38.09	0.90	39.94	38.40

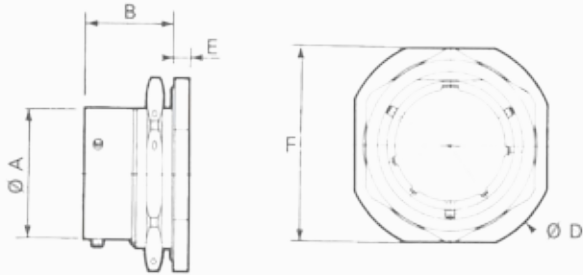
Dimensions in mm.

8525 Hermetic Connectors



Jam nut hermetic receptacle (type 07H)

Receptacle



Panel cut out



Shell size	A Max	B Max	D Max	E Max	F Max	$G_{0}^{+0.15}$	$H_{0}^{+0.15}$	J Min	J Max
08	12.02	17.70	27.37	2.65	24.07	14.60	13.60	1.57	4.75
10	14.99	17.70	30.57	2.65	27.22	17.70	16.80	1.57	4.75
12	19.05	17.70	35.32	2.65	32.00	22.70	20.90	1.57	4.75
14	22.23	17.70	38.50	2.65	35.17	25.70	24.10	1.57	4.75
16	25.40	17.70	41.67	2.65	38.35	28.80	27.20	1.57	4.75
18	26.68	17.70	44.85	2.65	41.52	32.00	30.40	1.57	4.75
20	31.75	19.30	49.62	3.40	46.27	35.20	33.60	1.57	6.35
22	34.93	19.30	52.77	3.40	49.47	38.40	36.60	1.57	6.35
24	38.10	19.30	55.97	3.40	52.62	41.50	39.90	1.57	5.55

Dimensions in mm.