



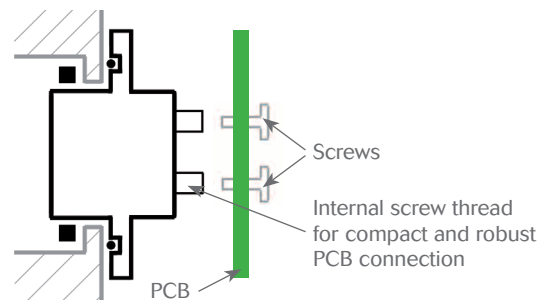
Firewall connector for power supply, adapted to PCB solutions

Power contacts are attached directly to the board with screws for an optimized connection. Available in size 6 contacts (\varnothing 4.6mm) and size 4 contacts (\varnothing 5.74mm).

Safe & Quick ✓

Avoid soldering of contacts:

- no heat applied: no risk of damaging the connector.
- quicker fit in the equipment.



Robust ✓

True mechanical link between PCB and contacts: no additional double flange needed.

Compact ✓

Tapped contacts for direct and small sized connections, especially compared to standard lugs.

