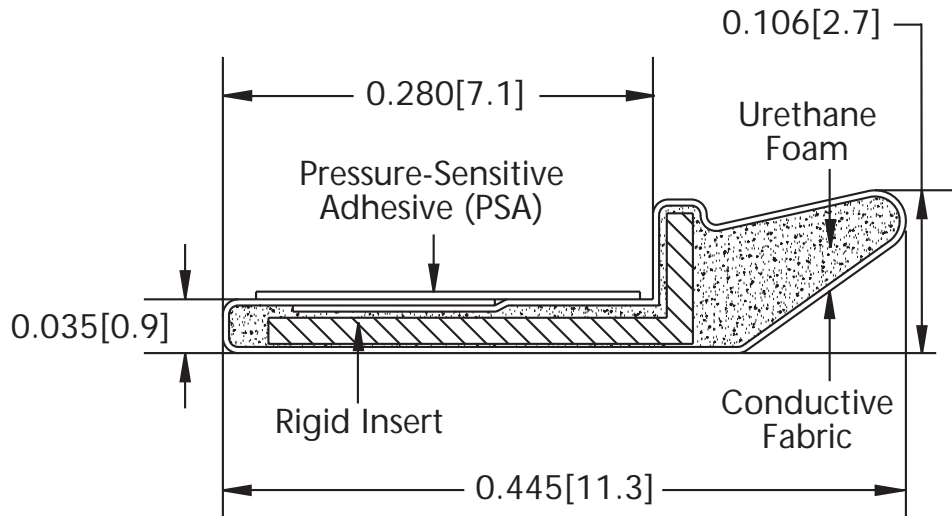


Profile E31

PSA Width: 0.250 [6.4]

inches [mm]

Knife Edge



E31

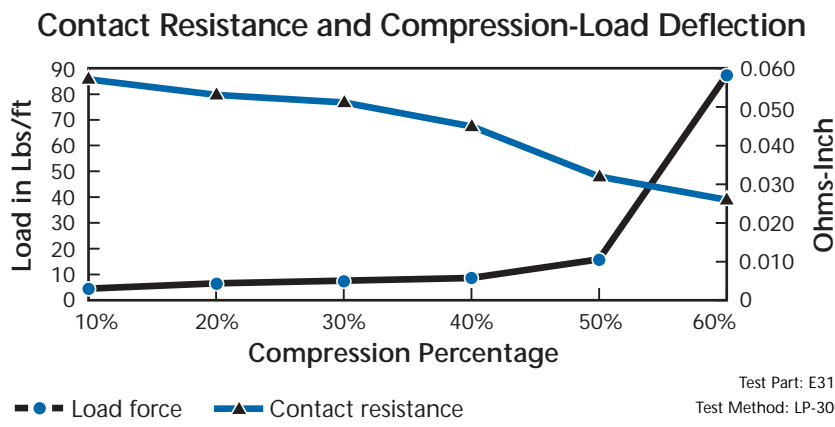
Dimensions for reference only

ACTUAL SIZE



Recommended Minimum Compression: 20% Recommended Maximum Compression: 60%

Contact resistance between a shielding gasket and the mating surface is related to applied load and percent compression of the gasket. This table is intended to assist in defining the optimum design range for an application. Determined by commonly accepted test procedures under controlled conditions, these values may differ from actual performance under specific operating conditions.



UL is a registered trademark of Underwriters Laboratories, Inc.

See tab 2 (Gaskets Overview) for icon definitions

The preceding information is believed accurate by SEM. In no event, however, shall SEM have any liability whatsoever for inaccuracies or omissions contained therein. In all cases, details and values should be verified by the customer. These products are covered by various U.S. and foreign patents.

SCHLEGEL
 electronic materials

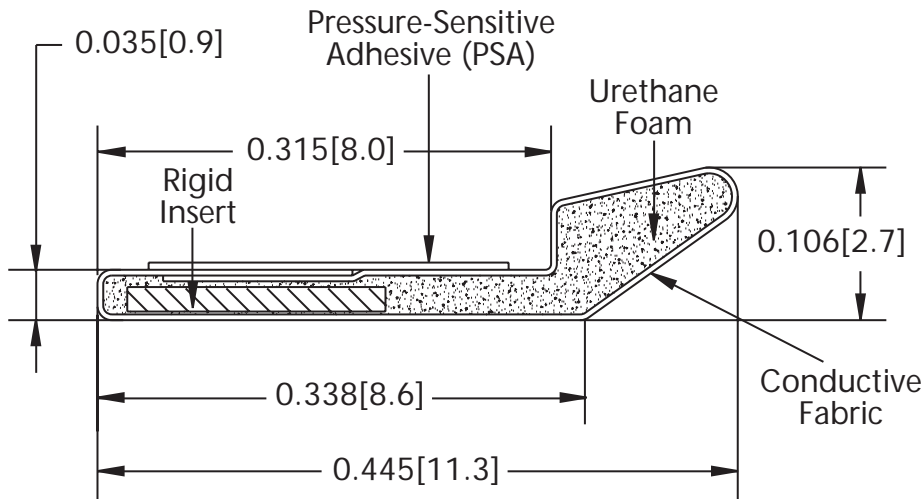
www.schlegelemi.com

Profile E67

PSA Width: 0.250 [6.4]

inches [mm]

Knife Edge



E67

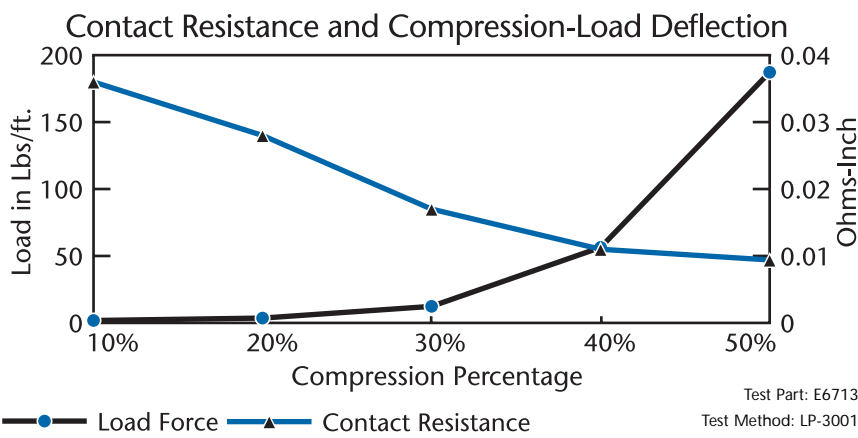
Dimensions for reference only

ACTUAL SIZE



Recommended Minimum Compression: 10% Recommended Maximum Compression: 50%

Contact resistance between a shielding gasket and the mating surface is related to applied load and percent compression of the gasket. This table is intended to assist in defining the optimum design range for an application. Determined by commonly accepted test procedures under controlled conditions, these values may differ from actual performance under specific operating conditions.



UL is a registered trademark of Underwriters Laboratories, Inc.

See tab 2 (Gaskets Overview) for icon definitions

The preceding information is believed accurate by SEM. In no event, however, shall SEM have any liability whatsoever for inaccuracies or omissions contained therein. In all cases, details and values should be verified by the customer. These products are covered by various U.S. and foreign patents.

SCHLEGEL
 electronic materials

www.schlegelemi.com

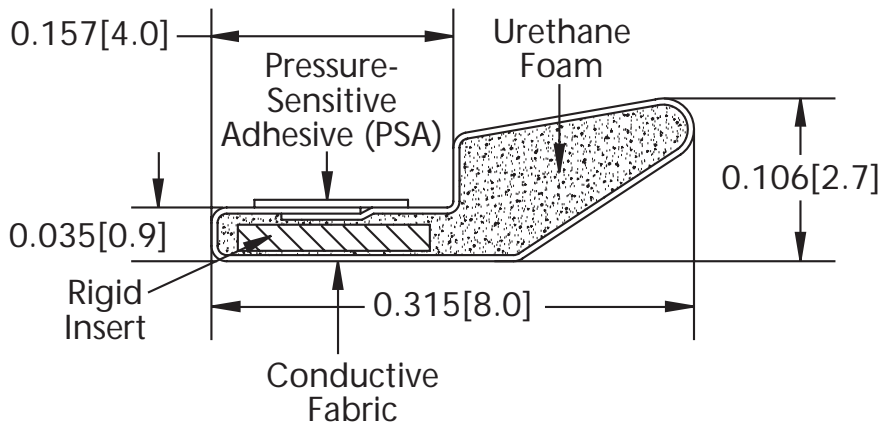
Profile E96

PSA Width: 0.100 [2.5]

inches [mm]

Knife Edge

E96



Dimensions for reference only

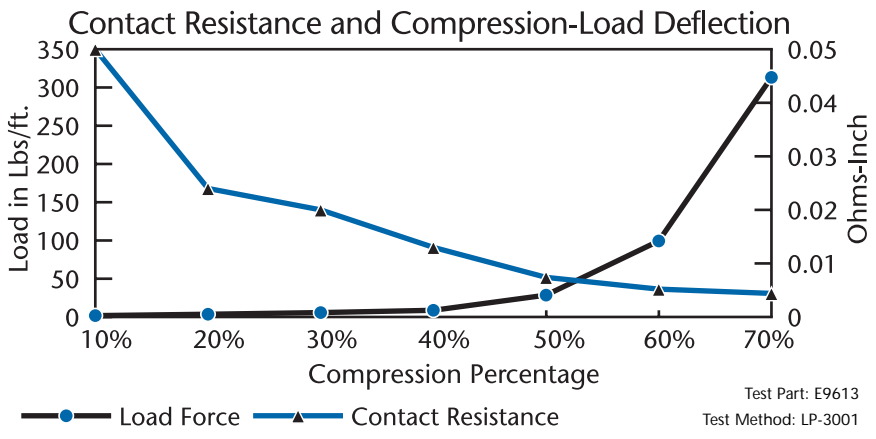
ACTUAL SIZE



Recommended Minimum Compression: 10% Recommended Maximum Compression: 70%



Contact resistance between a shielding gasket and the mating surface is related to applied load and percent compression of the gasket. This table is intended to assist in defining the optimum design range for an application. Determined by commonly accepted test procedures under controlled conditions, these values may differ from actual performance under specific operating conditions.



UL is a registered trademark of Underwriters Laboratories, Inc.

See tab 2 (Gaskets Overview) for icon definitions

The preceding information is believed accurate by SEM. In no event, however, shall SEM have any liability whatsoever for inaccuracies or omissions contained therein. In all cases, details and values should be verified by the customer. These products are covered by various U.S. and foreign patents.



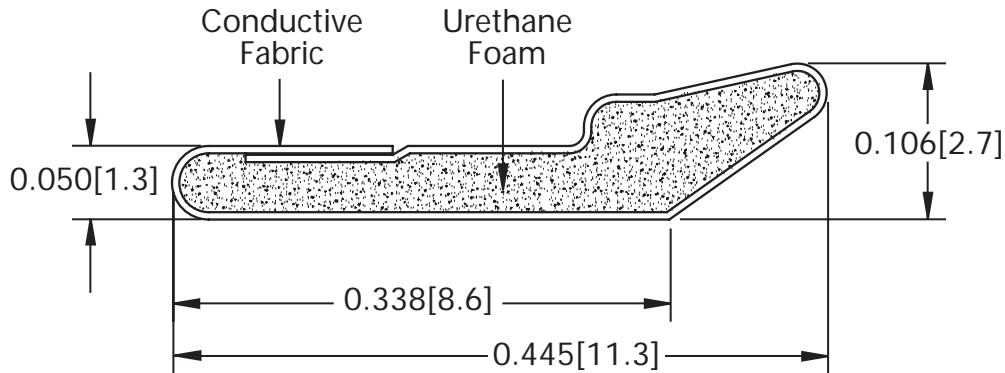
www.schlegelemi.com

Profile EH6

PSA Width: 0.250 [6.4]

inches [mm]

Knife Edge



EH6

Dimensions for reference only

ACTUAL SIZE



Please contact your
Schlegel EMI representative
for profile EH6 data.



See tab 2 (Gasket Overview) for icon definitions

UL is a registered trademark of Underwriters Laboratories, Inc.

The preceding information is believed accurate by SEM. In no event, however, shall SEM have any liability whatsoever for inaccuracies or omissions contained therein. In all cases, details and values should be verified by the customer. These products are covered by various U.S. and foreign patents.

SCHLEGEL
electronic materials

www.schlegelemi.com