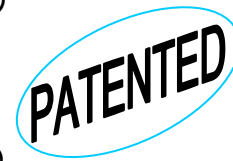




NICOMATIC France
 is certified ISO 9001 :2000

P-SWITCH® & T-SWITCH®



V1.14/10/09

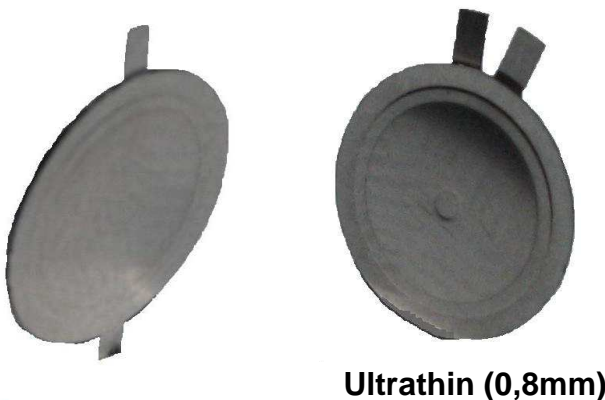
ONE CONCEPT, MANY APPLICATIONS

P-SWITCH®

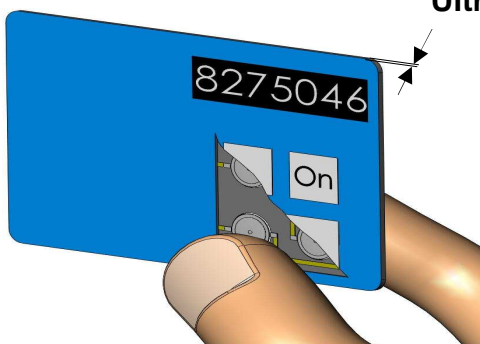
"Pinching Switch" new ergonomny

T-SWITCH®

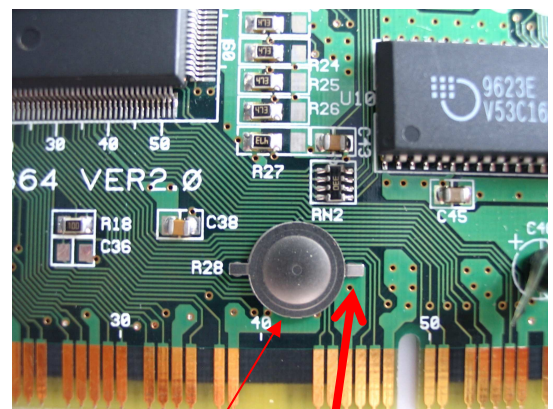
"Tactile Switch" Pick & Place



Ultrathin (0,8mm)

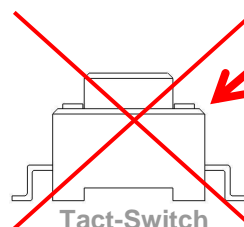


Pinch simultaneously on both sides TO ACTIVATE



Solder on PCB (standard use)

SIMILAR PATTERN



Tact-Switch

Very low profile



Option: DIRECT USE!
 Retrieve liner, stick and activate!



Conductive adhesive washer used to fix the T-SWITCH™ on the pattern

MARKETS

Smart cards with built-in electronics and contactless cards with high level security requirements

- One-time password (OTP) Identification
- RFID and security
- Secure access: ID / Financial transactions
- Data storage / Tracking
- Other: medical & lab equipments, smart textiles, discrete switch

ADVANTAGES

- Outstanding tactile feeling
- Activation force stable and homogeneous per delivery batch
- Durable & reliable (extra-long life expectancy)
- 100% mechanical & dimensional features controlled
- 100% traceability per batch number
- 100% Sealed (option)



NICOMATIC France
is certified ISO 9001 :2000

P-SWITCH® & T-SWITCH®

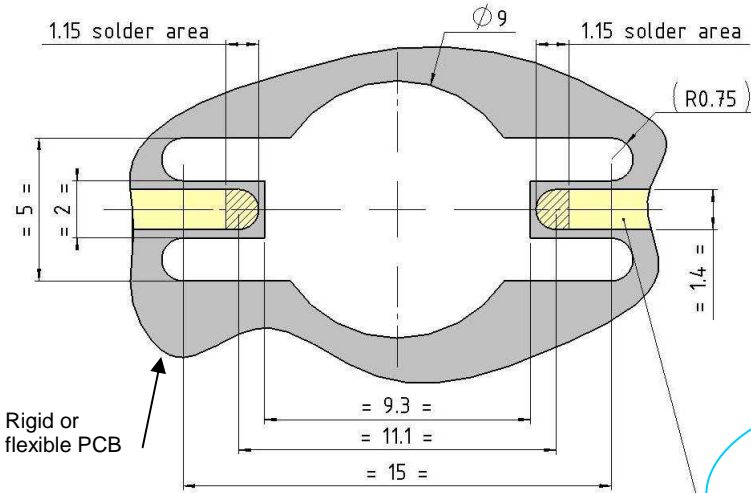
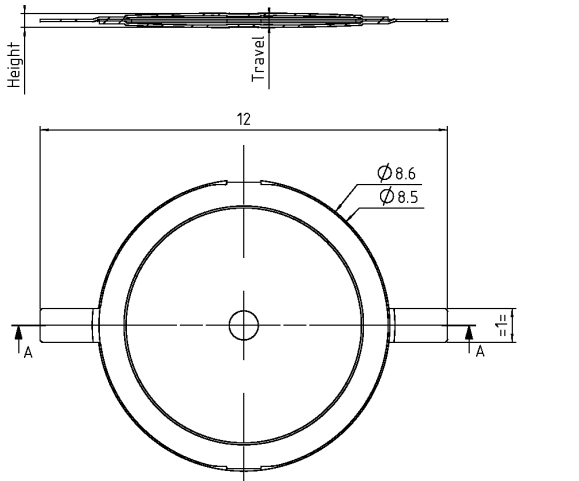
PATENTED



V1.14/10/09

P-SWITCH®

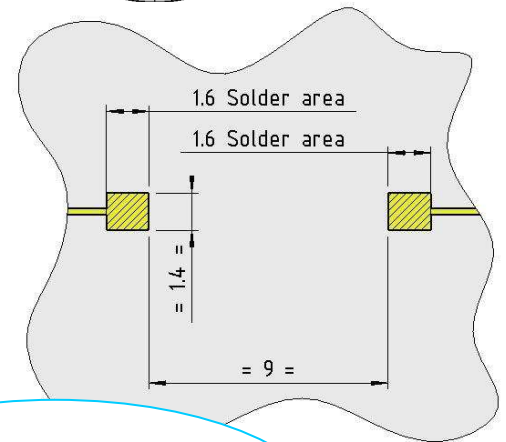
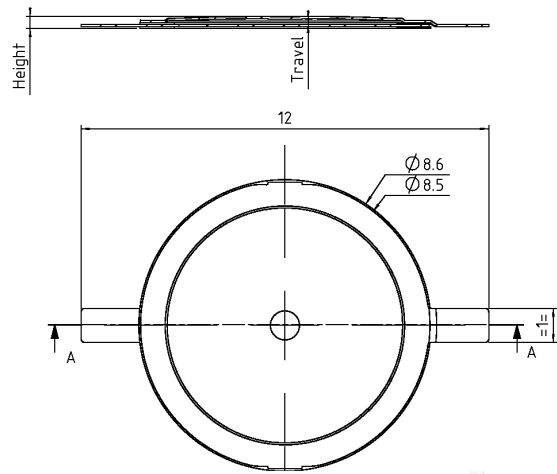
"Pinching Switch" new ergonomy



Plating: Ni or Au or SnPb or Ag

T-SWITCH®

"Tactile Switch" Pick & Place



Rigid or flexible PCB

Standard $\varnothing 8.5$ mm 190g –
Other forces (250g, 340g,
500g, 700g...)
& sizes ($\varnothing 6$, $\varnothing 10$...) upon request.

Example :

P8.5AAZ1-A-AAZ1-A

Pinching switch forces	
Dome reference (190)	190 (x2)
Trip Force (g)	190 \pm 30
Rebound force (g)	35 \pm 20
Click ratio (%)	65-85%
Height (mm)	0.50 \pm 0.08
Travel (mm)	0.34 \pm 0.08

TECHNICAL DATA

MATERIAL

- Dome : AISI 301
- Adhesive washer : Acrylic transfer.

PLATING

- Nickel plated (thickness : Ni 1 to 2 μ)
- Gold plated (thickness : Ni 1 to 2 μ + Au 0.15 μ)

MECHANICAL SPECIFICATIONS

- Life expectancy : 100 000 actuations (Actuator $\varnothing 12$ mm Teflon®)

ELECTRICAL SPECIFICATIONS

- Breakdown voltage : 350V
- Withstanding voltage : 120V
- Rated voltage : 100V
- Rated current : 1A
- Contact resistance : 300mOhms
- Switchable power at rated current : 80W

THERMAL SPECIFICATIONS

- Operating temperature -40°C to +105°C

Example :

T8.5AAZ1-A-DBZ1-A

Tactile switch forces	
Dome reference (190)	190
Trip Force (g)	190 \pm 30
Rebound force (g)	35 \pm 20
Click ratio (%)	65-85%
Height (mm)	0.45 \pm 0.05
Travel (mm)	0.17

NICOMATIC France
is certified ISO 9001 :2000

P-SWITCH® & T-SWITCH®

V1.14/10/09

DESIGN YOUR OWN P-SWITCH® OR T-SWITCH®

P-Switch construction: Upper dome / Adhesive / Lower dome

T-Switch construction: Upper dome / Adhesive / Lower dome / Adhesive PCB mounting

Upper dome	Insulating adhesive	Lower dome	Adhesive PCB mounting (only for T-Switch)
<p>No dimple</p>	<p>Close</p>	<p>No dimple</p>	
			<p>Close</p>
<p>Nipple</p>	<p>Open</p>	<p>Nipple</p>	
			<p>Open</p>
<p>Dimple</p>		<p>Dimple</p>	
		<p>Flat</p>	<p>Close</p>
		<p>Flat & hole</p>	<p>Open</p>
		<p>Flat no tab</p>	
			<p>No adhesive (if directly soldered)</p>
		<p>Flat no tab & hole</p>	

Example: T-Switch: T8.5AAG4-B-FBG4-A-D

Upper dome

Insulating adhesive

Lower dome

Adhesive PCB mounting

Dimple: for a shorter button travel choose this function

Nipple: reverse dimple for an enhanced actuator function

NICOMATIC France
is certified ISO 9001 :2000

P-SWITCH® & T-SWITCH®

V1.14/10/09

PART NUMBERING

P-Switch® code

P 85 FZG2 - A - FZG2 - A

P-Switch

Size

Upper dome

Insulating adhesive

Lower dome

Angle

T-Switch® code

T 85 FZG2 - A - FZG2 - A - A

T-Switch

Size

Upper dome

Insulating adhesive

Lower dome

Angle

Adhesive PCB mounting

Dome angle code

Upper dome angle

- A = 18°
- B = 174°
- C = 168°
- D = 162°
- E = 156°
- F = 150°
- G = 144°
- H = 138°
- I = 132°
- J = 126°
- K = 120°
- L = 114°
- M = 108°
- N = 102°
- O = 96°
- P = 90°
- Q = 84°
- R = 78°
- S = 72°
- T = 66°
- U = 60°
- V = 54°
- W = 48°
- X = 42°
- Y = 36°
- Z = 30°

Insulating adhesive code

A

A = Transfert tape + Acrylic adhesive 50µm with hole
 E = Transfert tape + Acrylic adhesive 50µm

A

A = Transfert tape + Acrylic adhesive 50µm with hole
 E = Transfert tape + Acrylic adhesive 50µm
 C = Transfert tape + Conductive acrylic adhesive 50µm with hole
 D = Transfert tape + Conductive acrylic adhesive 50µm
 E = no adhesive. SMT solder to flex or rigid pcb

Upper & Lower dome code

F

Z

G

2

Dome shape

Dome Force

fastening

Plating

A = No dimple
 E = Nipple
 C = Dimple
 D = Flat
 E = Flat & hole
 F = Flat no tab
 G = Flat no tab & hole

A = 190g
 E =
 C =
 D =
 ..

* Z = Solder
 C = Glue

1 = Tin plated
 2 = Nickel plated
 3 = Selective gold plated
 4 = Gold plated
 5 = Silver plated

* Option: some applications may require to crimp the switch. Available upon request only. Please contact us!

WWW.NICOMATIC.COM