



## Sealed Rack & Panel for Blind Connection

A quick connection in hard-to-reach areas

**Blind connection**

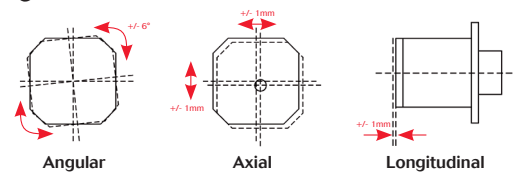


Easy & fast connection without any coupling/  
uncoupling between a float-mounting unit & a  
fixed unit

**100% Scoop proof connector**  
**Float-mounting unit: rack**



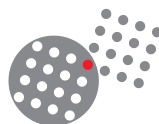
Female contacts - crimp  
Mounting on the cabinet side  
Angular orientation with a key  
Possibility to supply rear accessories  
Misalignment:



**Fixed unit: equipment**



Male contacts-crimp or straight spill  
Used on the equipment side  
Angular orientation through a key  
Interconnection with standard plug  
Rear accessories available to be assembled



# 38999 Series I Rack & Panel 8LT

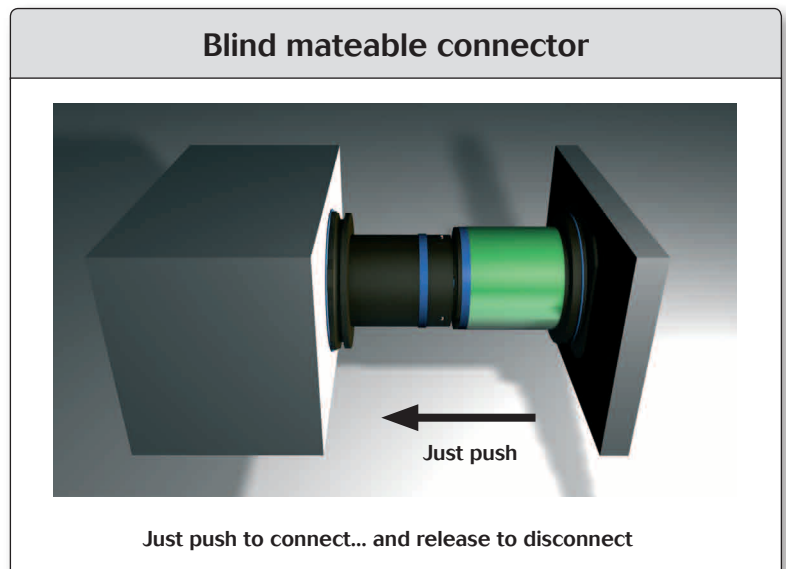


## Features and benefits

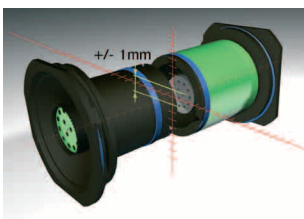
- Signal and Power connector
- Easy and fast connection without any coupling/uncoupling between a float-mounting unit and a fixed unit.
- 100% scoop proof
- Plug misalignment allowed
- Rear accessories available
- 8 shell sizes available: from 11 to 23 with DTAT-C5935-X0005 layout - including power contact cavities
- Sealing as per HE 308
- EMI performances as per DTAT-C5935-X0005

Shell Size	Mated Force (daN)	Unmated Force (daN)
11	20	12
13	30	13
15	35	15
17	50	16
19	55	18
21	65	22
23	80	27
25 *	-	-

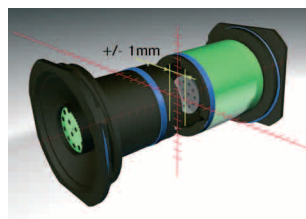
\* Please consult us



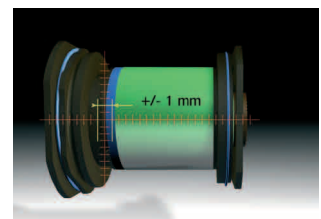
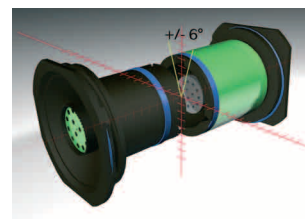
## Superior misalignment allowances



Axial alignment



Angular alignment



Longitudinal alignment

# 38999 Series I Rack & Panel 8LT



## Souriau Rack and Panel connectors part numbers

<b>Basic series</b>	8 LT	27	-	15	B	35	P	N	-	-	L
<b>Shell type</b>	<ul style="list-style-type: none"> <li>27: Receptacle for rack, for male contacts, with possibility to mount rear accessory</li> <li>23: Square flange receptacle (consult us)</li> <li>26: Floating plug for rack, for crimp female contacts, with possibility to mount rear accessory</li> </ul>										
<b>Type</b>	<ul style="list-style-type: none"> <li>None: Connector with standard crimp contacts</li> <li>Q: Connector with quadrax crimp contacts</li> <li>C: Connector with short spill (male and female #20, #16, #12, #8 quadrax)</li> <li>S: Connector with specific PC Tail (male and female #22D only)</li> <li>L: Connector with long spill (male and female #22D)</li> </ul>										
<b>Shell size:</b>	11, 13, 15, 17, 19, 21, 23, 25										
<b>Plating</b>	<ul style="list-style-type: none"> <li>F: Nickel</li> <li>B: Olive green cadmium</li> </ul>										
<b>Contact layout:</b>	See 38999 Series I catalog										
<b>Contact type</b>	<ul style="list-style-type: none"> <li>P: Male</li> <li>S: Female</li> </ul>										
<b>Polarization:</b>	N										
<b>Specification</b>	<ul style="list-style-type: none"> <li>None: Supplied with contacts</li> <li>251: Connector provided with power contacts (for layout with cavities #8)</li> <li>*284: Quadrax grounded (cts 100Ω)</li> <li>308: Quadrax not grounded (cts 100Ω)</li> <li>*384: Quadrax grounded (cts 150Ω)</li> <li>408: Quadrax not grounded (cts 150Ω)</li> </ul>										
<b>Special custom</b>	<ul style="list-style-type: none"> <li>None: Standard plastic cap</li> <li>M: Antistatic plastic cap</li> </ul>										
<b>L:</b>	Connector supplied without contacts										

\*Excepted mixed layouts with quadrax and signal contacts. Please consult us.

## HE 308 Rack and Panel connectors part numbers

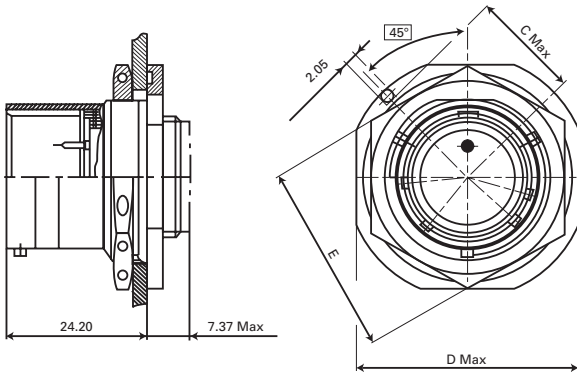
<b>Basic series</b>	HE308	26	T	23	01	P	N	7	M	-	-
<b>Shell type</b>	<ul style="list-style-type: none"> <li>26: Floating plug for rack, for crimp female contacts, with possibility to mount rear accessory</li> <li>27: Receptacle for rack, for male contacts, with possibility to mount rear accessory</li> <li>21: Receptacle for rack with PC Tail contacts</li> </ul>										
<b>Class</b>	<ul style="list-style-type: none"> <li>T: Sealed</li> </ul>										
<b>Shell size:</b>	11, 13, 15, 17, 19, 21, 23										
<b>Contact layout:</b>	See 38999 Series I catalog										
<b>Contact type</b>	<ul style="list-style-type: none"> <li>P: Male</li> <li>S: Female</li> </ul>										
<b>Polarization:</b>	N										
<b>Plating</b>	<ul style="list-style-type: none"> <li>7: Olive green cadmium</li> </ul>										
<b>Contractual specifications</b>	<ul style="list-style-type: none"> <li>M: DAT quality insurance</li> </ul>										
<b>Special custom</b>	<ul style="list-style-type: none"> <li>None: Standard plastic cap</li> <li>M: Antistatic plastic cap</li> </ul>										
<b>Specifications</b>	<ul style="list-style-type: none"> <li>None: Connector supplied with contact</li> <li>L: Connector supplied without contact</li> </ul>										

# 38999 Series I Rack & Panel 8LT



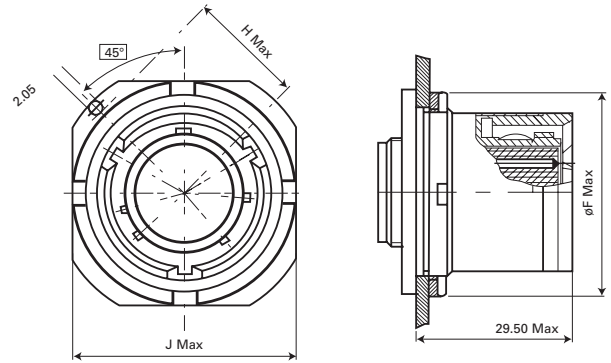
## Dimensions

### Equipment receptacle (type 27)



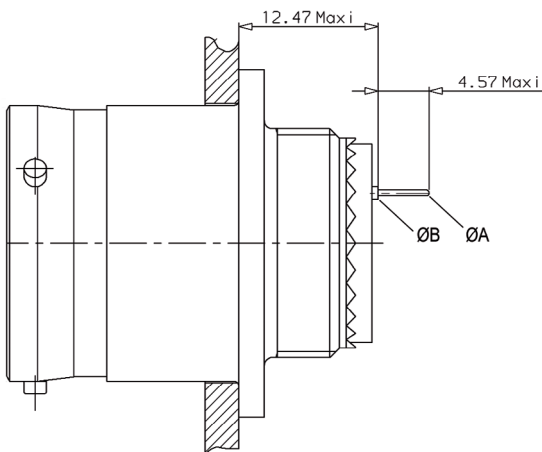
Shells	11	13	15	17	19	21	23	25
<b>C Max</b>	15.33	16.92	18.51	20.10	22.67	24.26	25.84	27.43
<b>D Max</b>	32.16	35.34	38.51	41.69	46.43	49.64	52.78	56.00
<b>E</b>	25.55	30.30	33.45	36.65	39.80	43	46.15	50.95

### Rack plug (type 26)



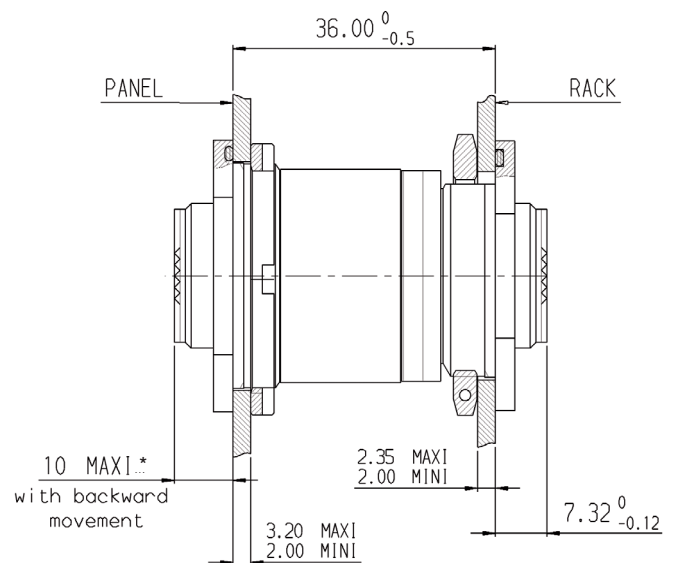
Shells	11	13	15	17	19	21	23	25
<b>ØF Max</b>	32.10	35.25	38.40	41.60	46.30	49.60	52.70	55.90
<b>H Max</b>	16.92	18.51	20.10	22.67	24.26	25.84	27.43	29.03
<b>J Max</b>	32.16	35.34	38.51	41.69	46.43	49.64	52.78	55.96

### Square flange receptacle (type 23)



Contact size	#22D	#20	#16
<b>A</b>	0.5	0.7	1.15
<b>B</b>	1	1.5	2.2

### Mated connectors plug (type 26) and receptacle (type 27)



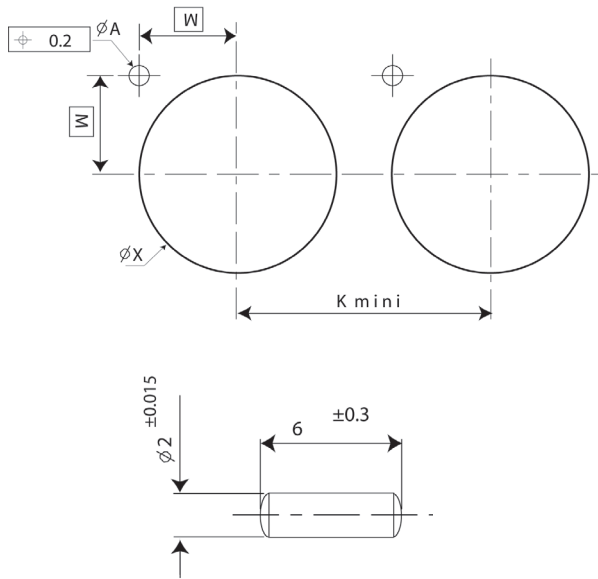
\*Included longitudinal alignment

# 38999 Series I Rack & Panel 8LT



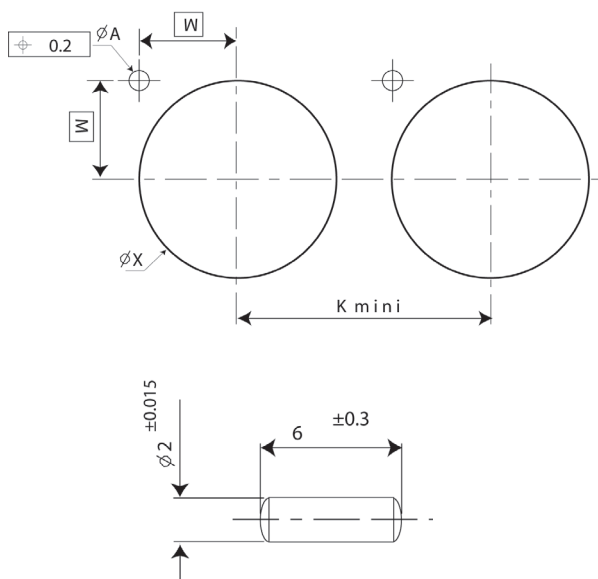
## Panel cut

### Plug panel cut



Shell size	Plug			
	W	$\phi X^{+0.1}_0$	K mini	$\phi A$
11	12.81	25.58	32.57	$\phi 2^{0}_{-0.05}$
13	13.94	28.80	36	
15	15.06	31.98	39.60	
17	16.88	35.15	43.30	
19	18	38.28	47	
21	19.12	41.50	50.60	
23	20.24	44.68	54.20	
25	21.38	47.85	57.45	

### Receptacle panel cut



Shell size	Plug			
	W	$\phi X^{+0.1}_0$	K mini	$\phi A$
09	10	17.70	27.80	$\phi 2^{0}_{-0.05}$
11	11.69	20.86	32.57	
13	12.81	25.58	36	
15	13.94	28.80	39.60	
17	15.06	31.98	43.30	
19	16.88	35.15	47	
21	18	38.28	50.60	
23	19.12	41.50	54.20	
25	20.24	44.68	59.70	

For further information contact us at [contactmilaero@souriau.com](mailto:contactmilaero@souriau.com)  
or visit our web site [www.souriau.com](http://www.souriau.com)