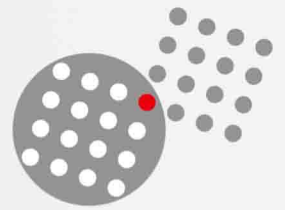


# PowerBlade Connector : MBP Series

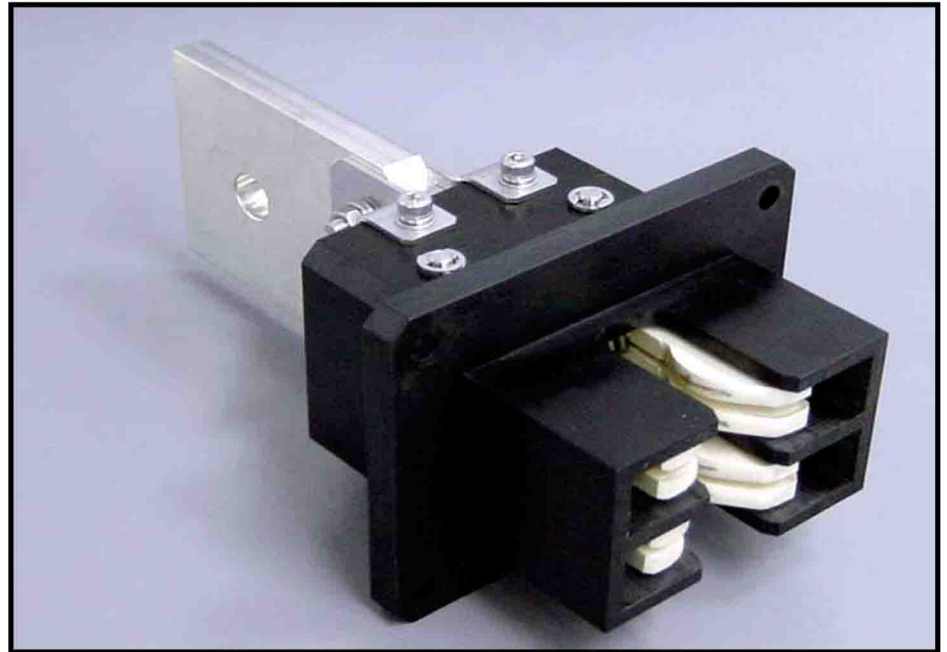


## Description

- High-performance connectors with high current carrying capacity
- Slide-in rack connectors and blade plugs for bus bars
- Blade plugs is designed for direct connection to copper bus bars

## Application

- Thyristor slide-in rack and panel applications for power generation and distribution, such as Thyristor Static Excitation System



## Technical features

### Mechanical

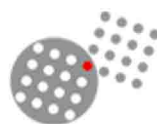
- The insulation is made from glass-fiber reinforced poly-butylenes telephthalate (PBT)
- Contact body : Copper
- Contact Plating : Silver
- Size : Overall Dimension: 100 x 128 x 220 cm
- Weight : 2.5 Kgs
- Built in mechanism to adjust mating miss aliment with bus bar within  $\pm 5$ mm

### Electrical

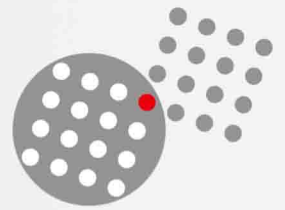
- Voltage rating
- Voltage : A.C 950V  
Current rating : 1000A  
(ref. 30C° rise)
- Dielectric withstanding voltage  
Test voltage A.C 5000  $\Omega$

### Environmental

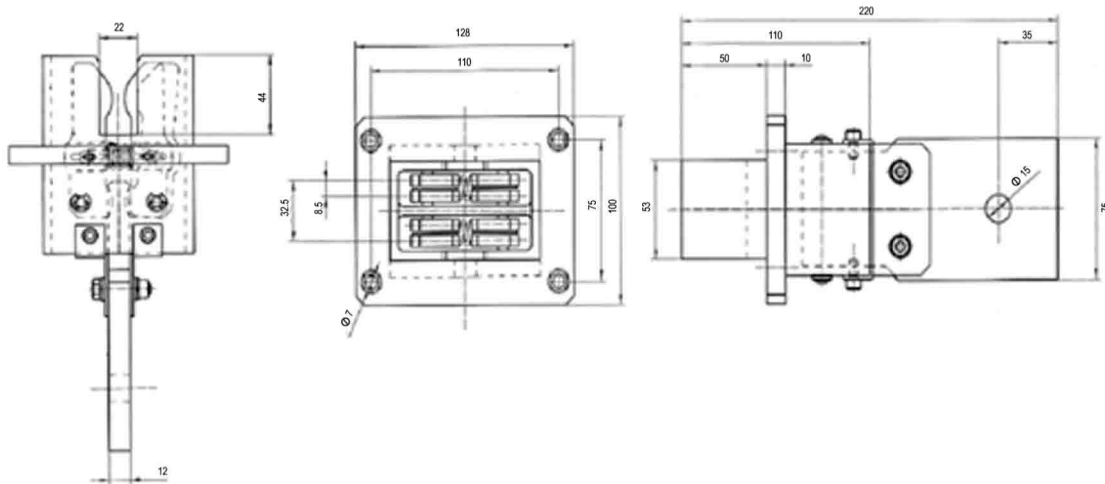
- Operating temperature : -5C° ~ +40C°  
(Temperature raise due to electric current flows inclusive)
- Applications for non corrosive environments indoors use



# PowerBlade Connector : MBP Series

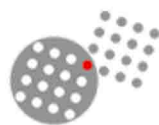
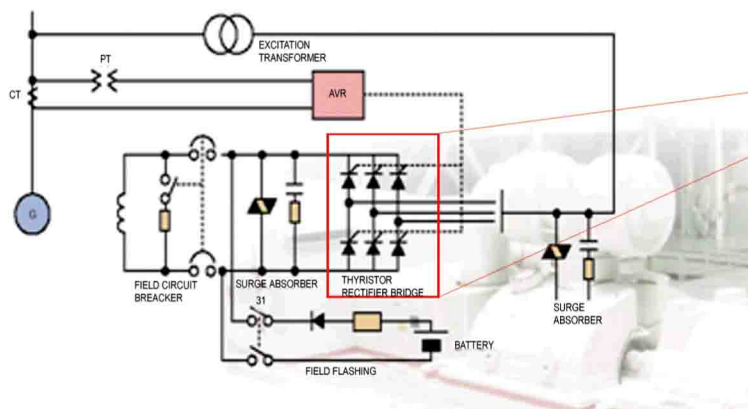


## Dimensions



## Typical Application

- Slide-in rack and panel Thyristor Statc Excitation System for Turbine generator



**SOURIAU**  
Connection Technology  
[www.souriau.com](http://www.souriau.com)

Americas tel :  
717 767 67 05

Europe tel :  
33 1 30 84 77 99

Japan tel :  
81 442 101 147

Asia / Pacific tel :  
33130 847 799